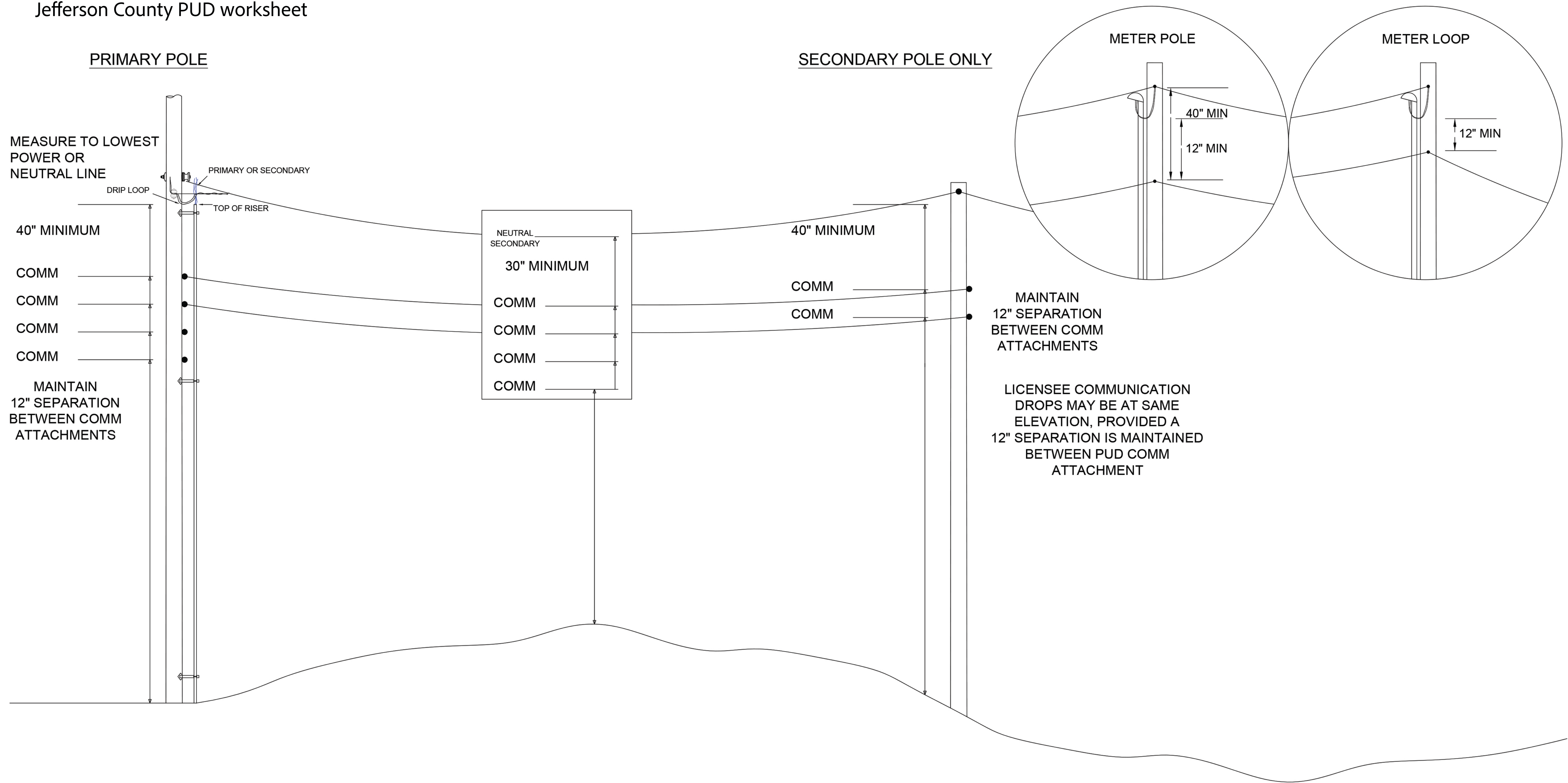


PUD POLE TAG #'S: _____
 ANCHOR ATTACHMENT REQUEST? _____
 MAKE READY REQUIRED? _____

USE FIGURE ③ DETAIL IF A STREET LIGHT EXISTS ON POLE

PUD POLE TAG #'S: _____
 ANCHOR ATTACHMENT REQUEST? _____
 MAKE READY REQUIRED? _____

USE FIGURE ③ DETAIL IF A STREET LIGHT EXISTS ON POLE



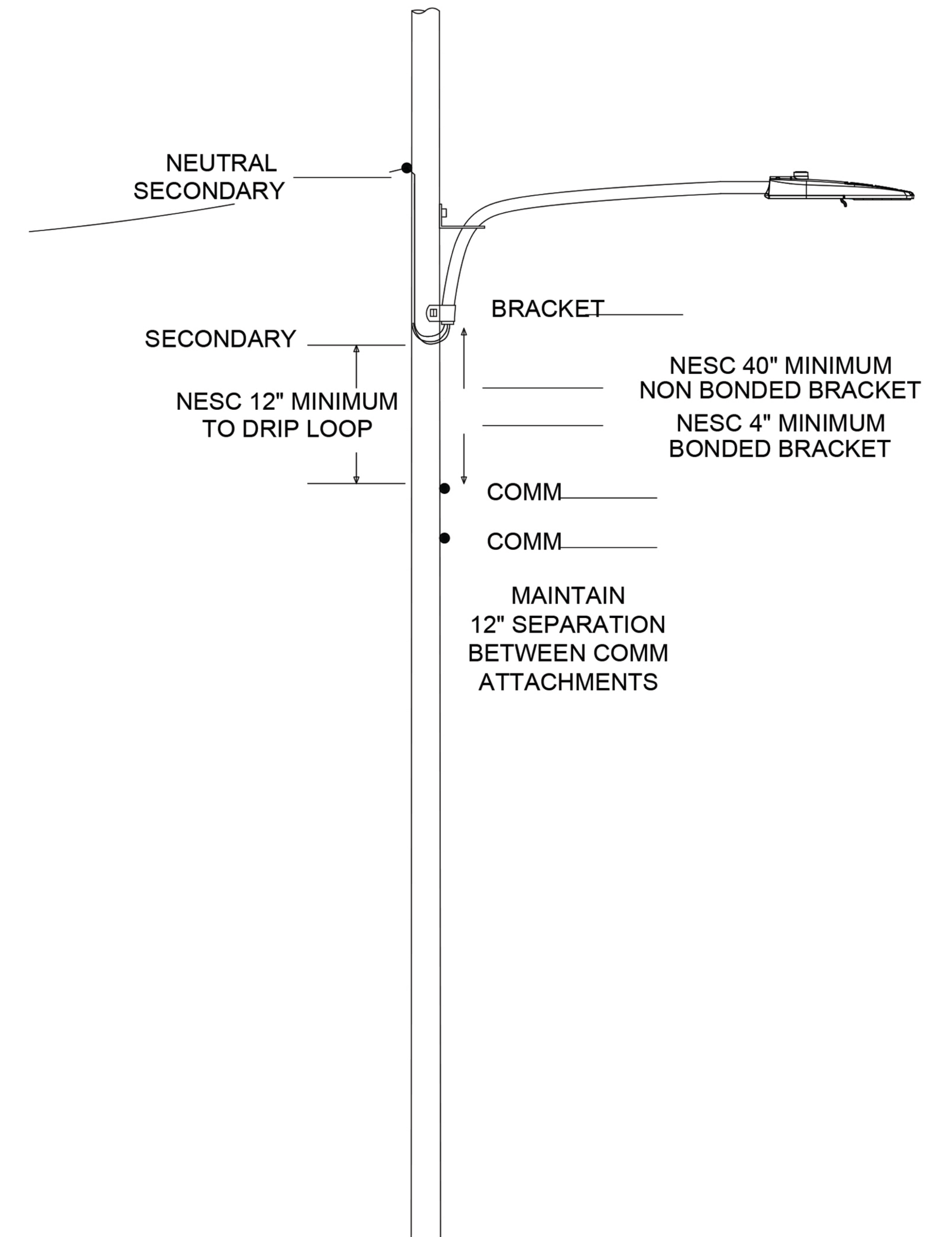
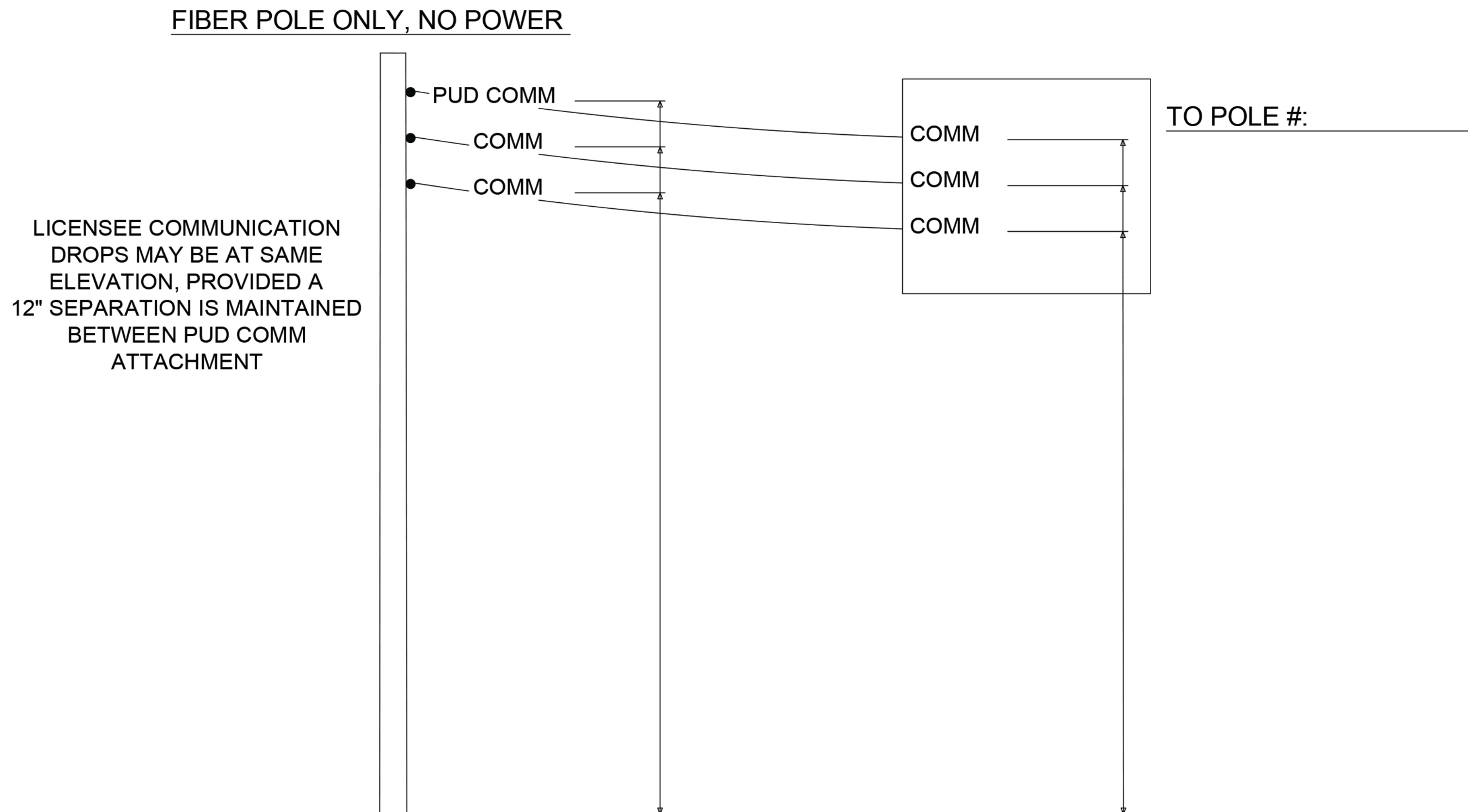
PUD POLE TAG #'S: _____
 ANCHOR ATTACHMENT REQUEST? _____
 MAKE READY REQUIRED? _____

PUD POLE TAG #'S: _____
 MAKE READY REQUIRED? _____

USE FIGURE ③ DETAIL IF A STREET LIGHT EXISTS ON POLE

USE FIGURE ③ DETAIL IF A STREET LIGHT EXISTS ON POLE

STREET LIGHT DETAIL



PUD POLE TAG #S: _____
 MAKE READY REQUIRED? _____

USE FIGURE ③ DETAIL IF A STREET LIGHT EXISTS ON POLE

PUD POLE TAG #S: _____
 ANCHOR ATTACHMENT REQUEST? _____
 MAKE READY REQUIRED? _____